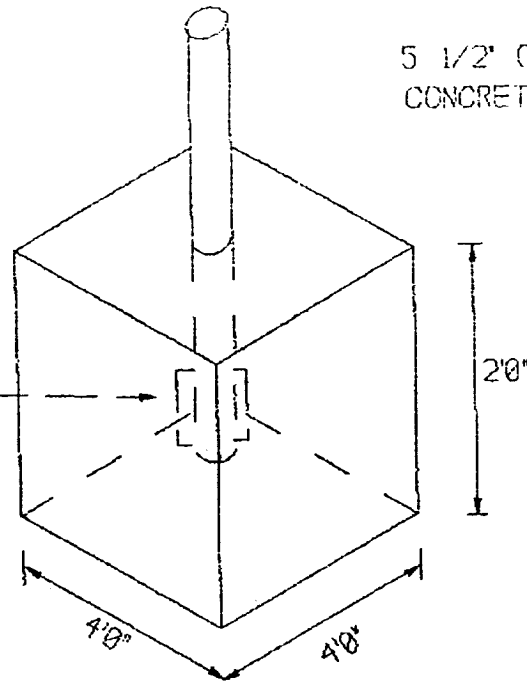




DPI

WELDMENTS 2" ANGLE APPROX. 16" LONG



5 1/2" O.D. POST
CONCRETE. POST MUST BE PLUMB

Post design criteria

Wind speed
100 mph max. schedule 40
125 mph max. schedule 80

CONCRETE PAD FOR 3.0M ANTENNA

NOTES:

DIMENSIONS FOR CONC. MAY VARY DEPENDING ON SOIL TYPES AND WIND CONDITIONS CHECK WITH LOCAL ENGINEER

POST MUST BE 5'0" OUT OF CONCRETE

POST MUST HAVE WELDMENTS ON SIDE TO PREVENT POST FROM TURNING IN WIND

POST MUST BE CLEAR 24" FROM TOP

Footings MUST BE BURIED MINIMUM OF 3.5' BELOW SURFACE
ASSUME EXPOSURE C CONDITION, 100 MPH DESIGN WIND SPEED

NOT TO ANY SCALE



DR SATELLITE
DRAWN BY: MGD
4/29/92
REVISED 4/28/95
5/19/95